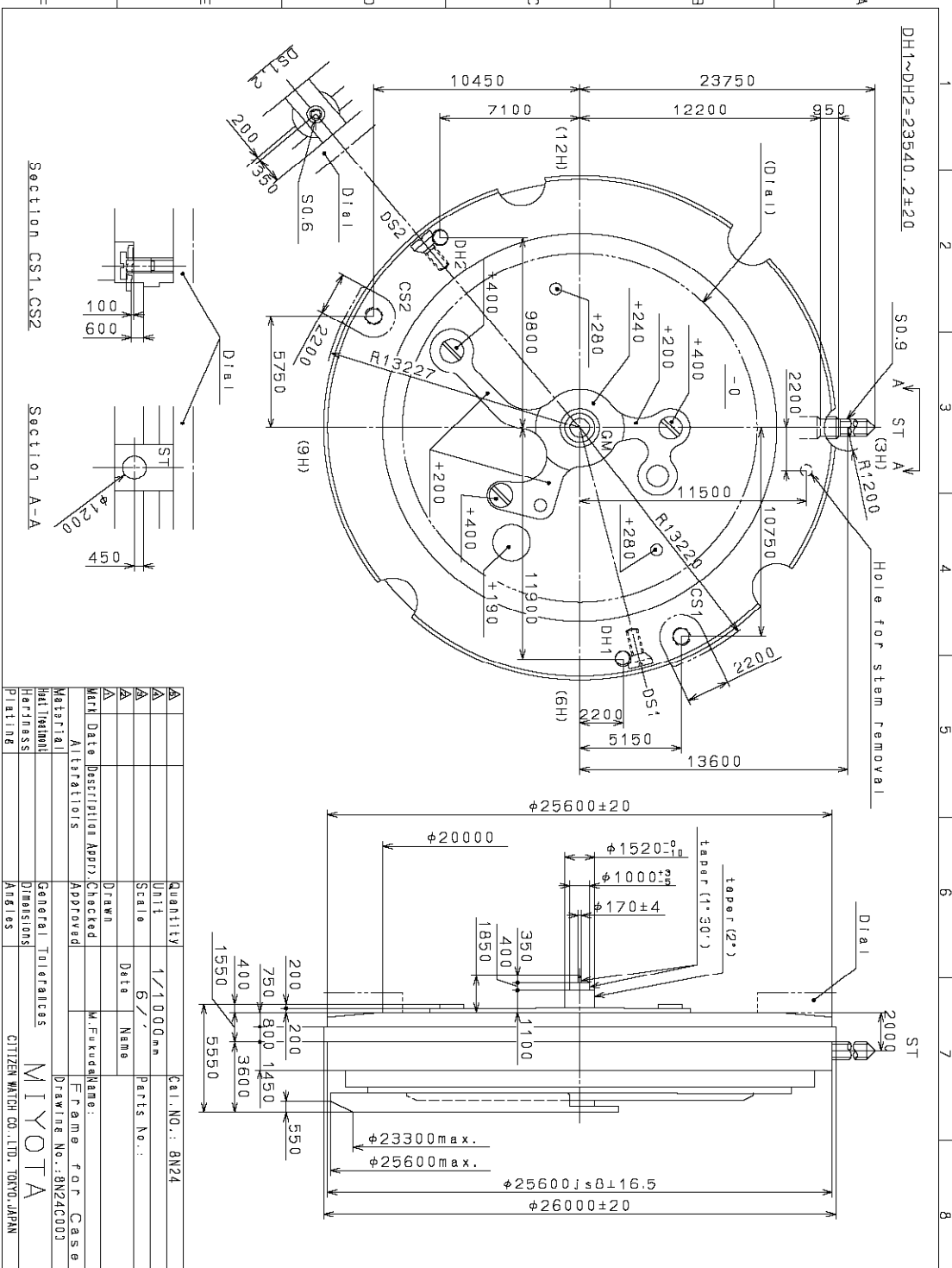


2005/05/10 (16:26:14)

This drawing is provisional and subject to our reconfirmation and/or revision without notice.



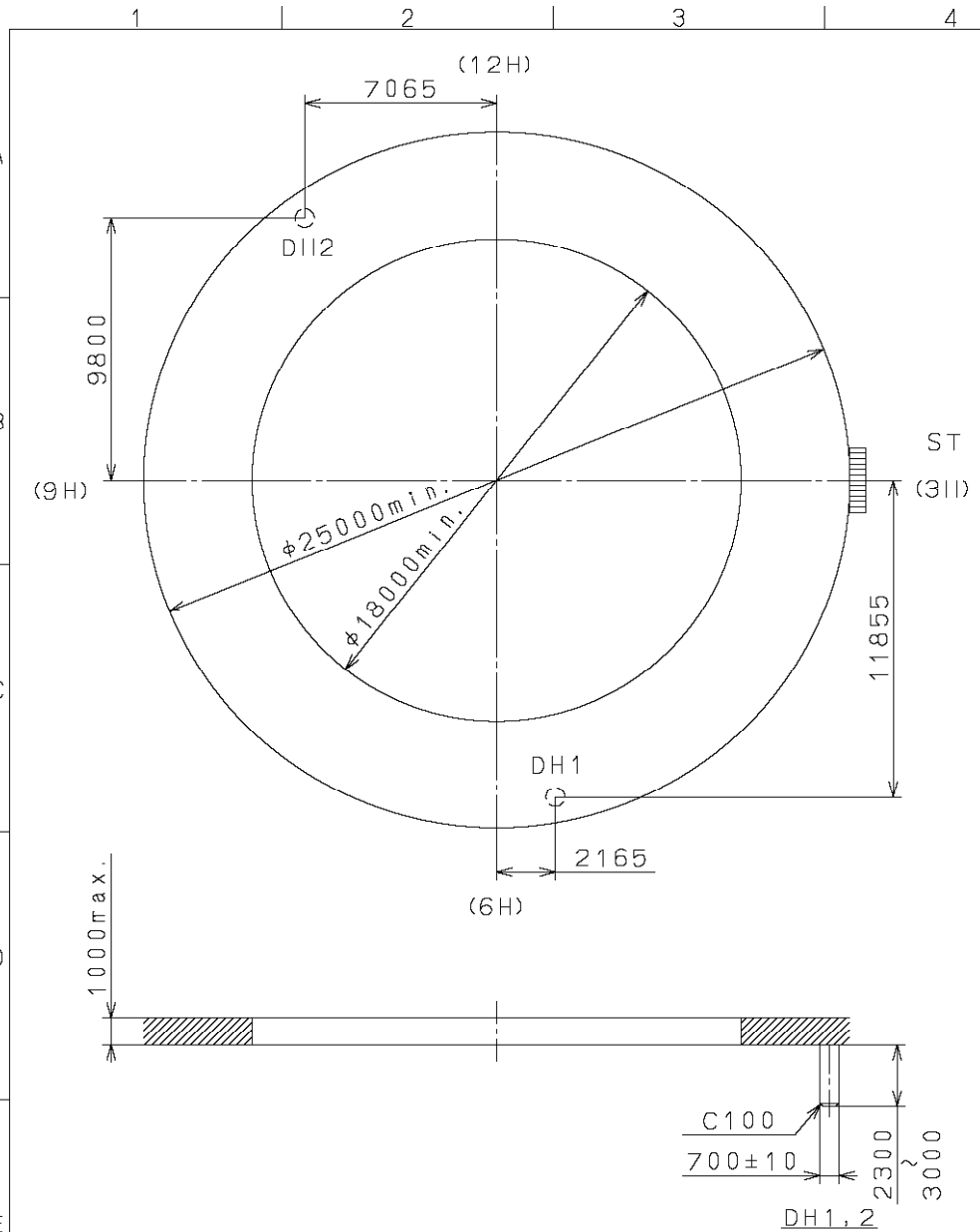
Section CS1,CS2

Section A-A

Quantity	1/1000mm	Cal. No.: 8N24
Unit	Scale	Parts No.:
Scale	Date	Name
Date	Drawn	M. Furukawa
Checked	Checked	Frame for Case
Approved	Approved	Drawing No.: 8N24C00J
Material	General Tolerances	MIYOTA
Material	Dimensions	CITIZEN WATCH CO., LTD., TOKYO, JAPAN
Plating	Angles	

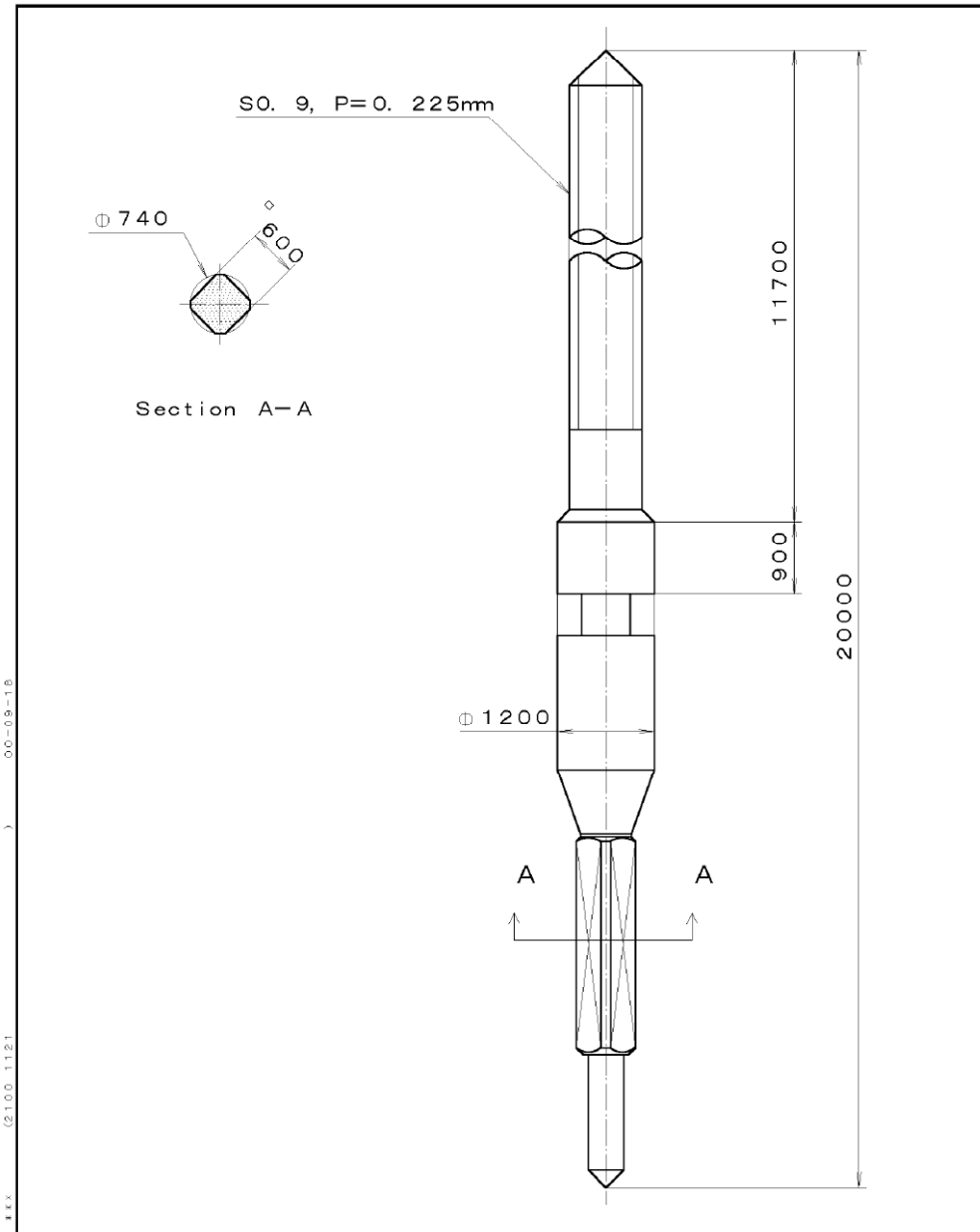
2005/09/06 (08:11:39)

This drawing is provisional and subject to our reconfirmation and/or revision without notice.



△				Quantity		Cal.NO.:8N24 21A
△				Unit	1/1000mm	
△				Scale	5/1	Parts No.:
△				Date	Name	
△				Drawn		
Mark	Date	Description	Appr.	Checked	M.Fukuda	Name:
		Alterations		Approved		Indications for Dial
Material						Drawing No.:8N24D000
Heat Treatment				General Tolerances		MIYOTA
Hardness				Dimensions		
Plating				Angles		

This drawing is provisional and subject to our reconfirmation and/or revision without notice



212 065-212 00-09-18 2100-1121 00-09-18	△		Quantity		Cal. No. :
	△		Unit	1/1000 mm	Parts: 065-212
	△		Scale	15:1	
	△		Date		Name: SETTING STEM
	△		Drawn		
	△		Checked	T. Hiruta	Drawing No. : 2120S000
△		Approved			
Material		General Tolerances		MIYOTA	
Heat Treatment		Dimensions			
Hardness		Angles			
Plating					